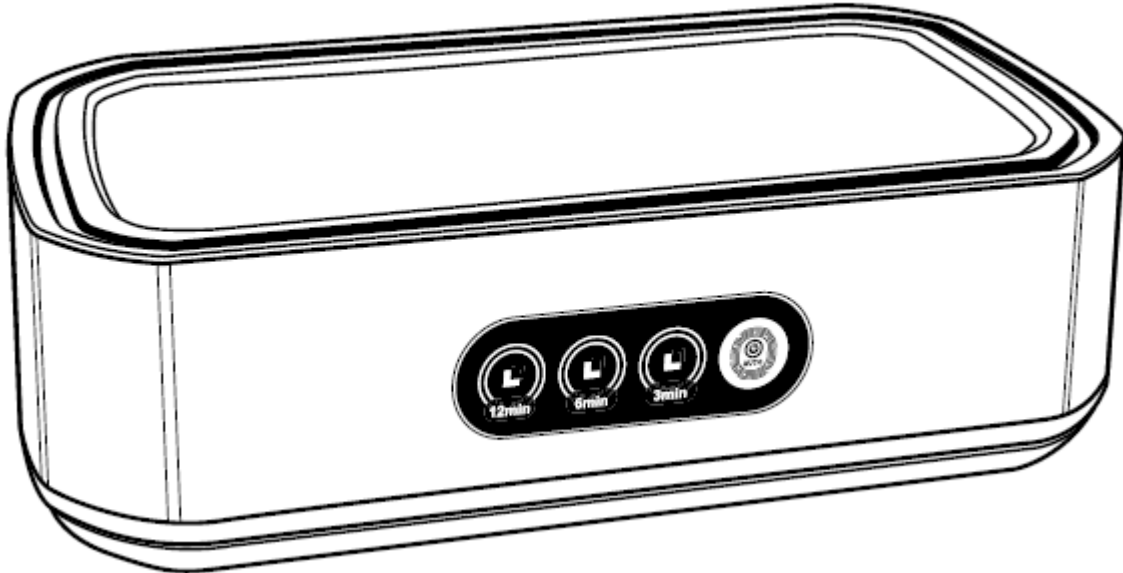


Technaxx® * User Manual

Ultrasonic cleaner LX-058



Before using the appliance for the first time, please read the instructions for use and safety information carefully.

This appliance is not intended for use by persons (including children) with reduced physical, sensory or mental capacities, or by persons lacking in experience or knowledge, unless they are supervised or instructed on the use of this device by a person responsible for their safety. Children should be supervised to ensure they do not play with this device.

Keep this user manual for future reference or product sharing carefully. Do the same with the original accessories for this product. In case of warranty, please contact the dealer or the store where you bought this product.

Enjoy your product. * Share your experience and opinion on one of the well-known internet portals.

Specifications are subject to change without notice - please be sure to use the latest manual available on the manufacturer's website.

Table of Contents

Hints	2	Which objects should not be cleaned.....	4
Safety instructions	2	Hints and Tips	5
Storage	3	First use.....	5
Disclaimer.....	4	Maintenance.....	6
Which objects should be cleaned.....	4	Technical Specifications.....	6
Glasses.....	4	Support.....	7
Gold, silver and metal jewelry...	4	Care and maintenance	7
Metal bracelets of waterproof watches	4	Declaration of Conformity.....	7
Other objects	4	Disposal.....	7

Hints

● Only use the product for purposes due to its intended function ● Do not damage the product. Following cases may damage the product: Incorrect voltage, accidents (including liquid or moisture), misuse or abuse of the product, faulty or improper installation, mains supply problems including power spikes or lightning damage, infestation by insects, tampering or modification of the product by persons other than authorized service personnel, exposure to abnormally corrosive materials, insertion of foreign objects into the unit, used with accessories not preapproved. ● Refer to and heed all warnings and precautions in the user manual.

Safety instructions



●The appliance is designed for domestic use only. ●Never use the appliance in the bathtub, shower or over a wash basin filled with water; nor should it be operated with wet hands. ●Do not immerse the appliance in water or let it come into contact with water, even during cleaning. ●Do not immerse the appliance, power cord or power plug in water or in other liquid. ●Pull out the power plug after using the appliance and before cleaning the appliance. ●Do not disconnect the plug by pulling on the cord. ●⁷ Never use the appliance if it or the power cord is visibly damaged. ●If the power cord is damaged, it must be replaced by the manufacturer, a service centre or a similarly qualified person to avoid any danger of electrical shock. ●Keep the appliance out of the reach of children.

●This appliance can be used by children aged from 8 years and above and persons with reduced physical, sensory or mental capabilities or lack of

experience and knowledge if they have been given supervision or instruction concerning use of the appliance in a safe way and understand the hazards involved. Children shall not play with the appliance. Cleaning shall not be made by children without supervision. ● Store the packaging material and the accessories away from children; they may cause danger of life by suffocating and swallowing. ● Never open the appliance under any circumstance. No warranty claims are accepted for damage caused by improper handling. ● Check if the mains voltage on the label corresponds to your local mains supply. The only way to disconnect the appliance from the mains is to pull out the plug. ● Keep the surface of the appliance, control panel and switch always clean and dry. ● To clean the appliance, see the "Cleaning and care" section. ● 7 Do not operate the appliance without filling with water, otherwise it will get damaged. ● Do not let power cord hang over sharp edges or hot surfaces. ● Do not operate or place any part of this appliance on or near any hot surface, such as gas or electric burners. ● Do not use the appliance for any purpose other than its intended use. The appliance is designed for cleaning jewellery, waterproof watches, glasses, etc.; see the " Which objects should be cleaned " section. ● Do not use the appliance with wet hands. ● Use the appliance on a stable work surface. ● Unplug the appliance before filling it. Do not exceed the "MAX" marking when filling with water. ● Do not place sensitive, small objects directly in stainless steel tank, otherwise they will get scratched; use the plastic cleaning basket for them. ● Do not use strong cleansing agents or chemicals, such as caustic, ammonia, bleach, detergents with strong perfumes, in the appliance. ● Do not touch the inside of the appliance and the cleaning liquid while it operates. ● Never put the appliance or power cord in water or any other liquid.

Storage

If you do not plan to use the appliance for a long period of time, please store it carefully. ● Make sure that it is unplugged and is completely dry. Do not wrap the power cord around the appliance. ● Store it in a cool and dry place. ● Make sure the appliance is kept out of the reach of children.

Disclaimer

● In no event shall Technaxx Deutschland be liable for any direct, indirect punitive, incidental, special consequential damage, to property or life, improper storage, whatsoever arising out of or connected with the use or misuse of their products.

Which objects should be cleaned

Glasses

Place your glasses always with the glasses in up-ward position into the plastic cleaning basket.

Glasses or glass frames which have scratches should not be cleaned in the appliance. Ultrasonic technology can deepen the scratches.

Coated glasses can be damaged.

Gold, silver and metal jewelry

The appliance is suitable for cleaning gold, silver and metal jewelry. The jewelry should not contain fragile or porous stones. See also **'Which objects should not be cleaned?'**. To be on the safe side, you should consult the store, where you purchased the jewelry, whether it is suitable for cleaning with the ultrasonic cleaner.

Metal bracelets of waterproof watches

Do not clean clockworks with the appliance since they may be damaged.

Do not clean watches which are not waterproof.

Do not clean mechanical watches with the appliance. The spiral spring in the watch may be magnetic and the watch would not show the exact time.

Other objects

Combs, dentures, braces, or heads of electric shavers.

Nibs, ink jet printer cartridges, seals.

Metal cutlery, coins, metal nozzles or valves of metal.

Which objects should not be cleaned

Jewelry with fragile or porous stones. Do not use the appliance for cleaning fragile or porous stones, such as pearls and mother of pearl, emerald, opal, coral, turquoise, lapis lazuli, malachite, black onyx and tiger eye.

Glasses with frames made of natural materials.

Do not use the device for cleaning glasses with frames made of fragile or porous natural materials such as tortoiseshell and horn.

Other objects

Objects consist of or containing wood, textile or leather, Contact lenses
Costume jewelry, especially silver-plated costume jewelry

Hints and Tips

Most of the dirt will already be loosened at the first cleaning operation. If there are still some dirt particles at the objects, you can try to remove with a damp, soft cloth before repeating the cleaning operation for a second time.

Clean one side of large objects first. After finishing, please turn the large objects for cleaning the other side and start operation again.

If you want to have a better cleaning for very dirty objects, you can repeat the cleaning operation for several times. Wait at least 2 minutes before you start the next cleaning operation.

You can increase the effect of cleaning by adding a few drops of a very soft liquid soap in the water. For your watches and jewelry, ask the specialists where you buy them, whether they are suitable for cleaning with liquid soap.

First use

Remove the transparent protection sleeve on the power button panel before using the appliance for the first time.

Open the Lid, remove all parts inside, fill the stainless-steel tank with water, do not exceed the max marking.

Do not operate the appliance without filling with water, otherwise it will get damaged.

Use only clear, cold water.

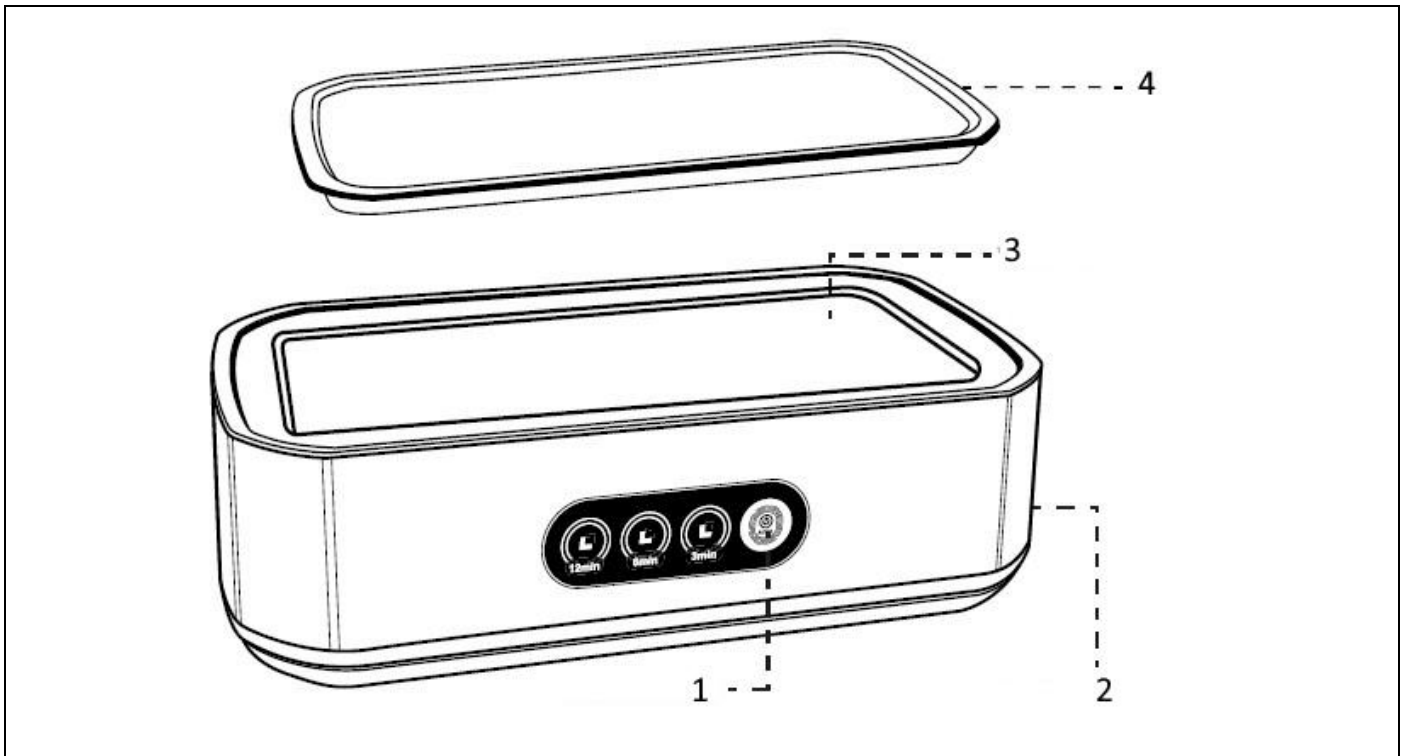
Put the objects into the tank and close the lid, connect the item with the power-adaptor and the adapter with the local power net.

Press the Auto button 1 time for 3 minutes, a 2nd time for 6 minutes and a 3rd time for 12 minutes cleaning.

After cleaning is finished, disconnect the power adapter, open the Lid and remove the parts from stainless-steel tank.

Empty the tank and clean with a soft cloth.

Overview



1	Start button	2	Power connector	3	Stainless-steel tank
4	Lid	5	AC Adapter (not shown)		

Maintenance

How to Maintain the Main Unit

Cleaning the product

Turn the appliance off and unplug it. Pour out the water in the stainless-steel tank. Clean and dry stainless-steel tank and the exterior of the appliance. Use only damp, soft cloth to clean.

CAUTION! Do not open, modify, or repair the product.

Technical Specifications

External charger	In: AC100-240V~50/60Hz; 0.4A Max Out: DC12V/2A
Ultrasonic frequency	48kHz +- 2kHz
Power	24W
Capacity	~500ml
Weight	0.55kg
Dimension (LxWxH)	23 x 12 x 8cm
Material	ABS + Stainless-steel
Package contents	Main Unit, AC-adapter (EU), Lid, User Manual

Support

Service phone No. for technical support: **01805 012643** (14 cent/minute from German fixed-line and 42 cent/minute from mobile networks). Free

Email: **support@technaxx.de**

The support hotline is available Mon-Fri from 9am to 1pm & 2pm to 5pm

Care and maintenance

Clean the device only with a dry or slightly damp, lint-free cloth.

Do not use abrasive cleaners to clean the device.

- Use the device in ultra-high or ultra-low temperature.
- Deliver or use it in strongly shocking environment.

Declaration of Conformity



The EU Declaration of Conformity can be requested at the following address: www.technaxx.de/ (in the lower bar "Declaration of Conformity").

Disposal



Disposal of the packaging. Sort packaging materials by type upon disposal.

Dispose of cardboard and paperboard in the waste paper. Foils should be submitted for recyclables collection.



Disposing of old equipment (Applies in the European Union and other European countries with separate collection (collection of recyclable materials) Old equipment must not be disposed of with household waste! Every consumer is required by law to dispose of old devices that can no longer be used separately from household waste, e.g. at a collection point in his or her municipality or district. This ensures that the old devices are properly recycled and that negative effects on the environment are avoided. For this reason, electrical devices are marked with the symbol shown here.

Made in China

Distributed by:
Technaxx Deutschland GmbH & Co. KG
Konrad-Zuse-Ring 16-18,
61137 Schöneck, Germany

Ultrasonic cleaner LX-058