

## Radiator Fan - Extension TX-303

Before using the appliance for the first time, please read the instructions for use and safety information carefully.



TX-303

This appliance is not intended for use by persons (including children) with reduced physical, sensory or mental capacities, or by persons lacking in experience or knowledge, unless they are supervised or instructed on the use of this device by a person responsible for their safety. Children should be supervised to ensure they do not play with this device.

Keep this user manual for future reference or product sharing carefully. Do the same with the original accessories for this product. In case of warranty, please contact the dealer or the store where you bought this product.

***Enjoy your product. \* Share your experience and opinion on one of the well-known internet portals.***

Specifications are subject to change without notice - please be sure to use the latest manual available on the manufacturer's website.

## Table of Contents

Hints .....	2	Connect the MainUnit to the Radiator .....	5
Safety instructions .....	2	Distribute the MainUnits .....	5
Warnings .....	3	Maintenance .....	5
Disclaimer.....	3	How to Maintain the MainUnit... 5	
Features .....	3	Cleaning the product .....	5
System Overview .....	3	Technical Specifications.....	6
Package content.....	4	Support.....	6
Product overview.....	4	Care and maintenance .....	6
Installation .....	5	Declaration of Conformity.....	7
Determine the type of your radiator .....	5	Disposal.....	7

## Hints

● Only use the product for purposes due to its intended function ● Do not damage the product. Following cases may damage the product: Incorrect voltage, accidents (including liquid or moisture), misuse or abuse of the product, faulty or improper installation, mains supply problems including power spikes or lightning damage, infestation by insects, tampering or modification of the product by persons other than authorized service personnel, exposure to abnormally corrosive materials, insertion of foreign objects into the unit, used with accessories not preapproved. ● Refer to and heed all warnings and precautions in the user manual.

## Safety instructions

- The product is intended to distribute the air from the radiator for better circulation and faster heating. It is intended for use by private individuals.
- Use this product only as a radiator ventilator by attaching it to a radiator. Follow the instructions in this manual to do so.
- Never touch the product with wet or damp hands.
- The product can only be operated with the voltage described on the interior panel.
- Do not place the product on an unstable surface. The unit could be damaged or persons could be injured. Any attachments should be made only in accordance with the manufacturer's instructions or obtained from the manufacturer.
- The cable is sheathed and insulates the current. Do not place any objects on the cable, as this could cause the protective function to be lost. Avoid placing excessive stress on the cable, especially at sockets and plugs.
- If you want to pull the plug out of the socket, always pull on the plug and not on the cable. The cable could otherwise break.

- Do not overload wall outlets, extension cords, or other wiring as this may result in fire or electric shock.
- Do not insert any objects into the openings of the unit, as current flows in some places and contact may cause fire or electric shock.
- Unplug the power cord from the power outlet for cleaning.
- Do not use liquid cleaners or cleaning sprays. The product may only be cleaned with a damp cloth.
- Do not connect any additional devices that are not recommended by the manufacturer.
- Keep the product away from open fire, soldering irons, or other hot tools as this could damage the product.
- Connect the product to a properly installed and easily accessible wall socket. Make sure the product can be disconnected from the power supply at any time.
- Never use the product outdoors. The product is intended for indoor use only.

## **Warnings**

- Do not disassemble the product, it may result in short-circuit or damage.
- Do not modify, repair or remove without professional guidance.
- Do not use corrosive or volatile liquid for cleaning.
- Do not drop or shake the device, it may break internal circuit boards or mechanics.
- Keep the device away from little children.

## **Disclaimer**

- In no event shall Technaxx Deutschland be liable for any direct, indirect punitive, incidental, special consequential damage, to property or life, improper storage, whatsoever arising out of or connected with the use or misuse of their products.

## **Features**

### TX-303 Extension

- Once installed, the extension set works together with the Mono Set. Suitable for extending an existing Technaxx Mono Set.
- PLEASE NOTE! This product is only suitable for extending an existing Technaxx Mono Set and cannot be used separately. This extension set does not include an adapter or a temperature sensor.

## **System Overview**

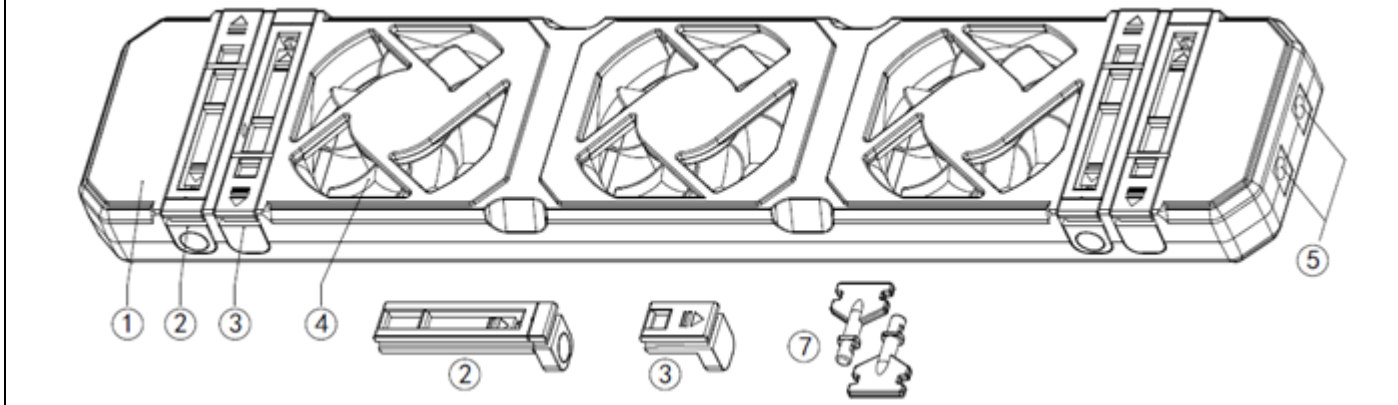
Connect additional MainUnits with the 30 cm extension cable.

# Package content

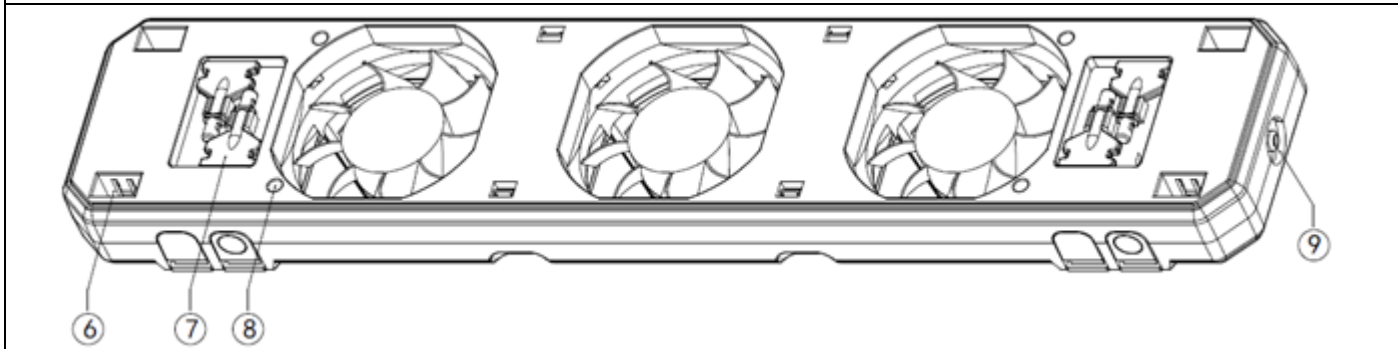
<b>TX-303 - Extension</b>
1x MainUnit
1x Extension cable (30cm)
1x User Manual

# Product overview

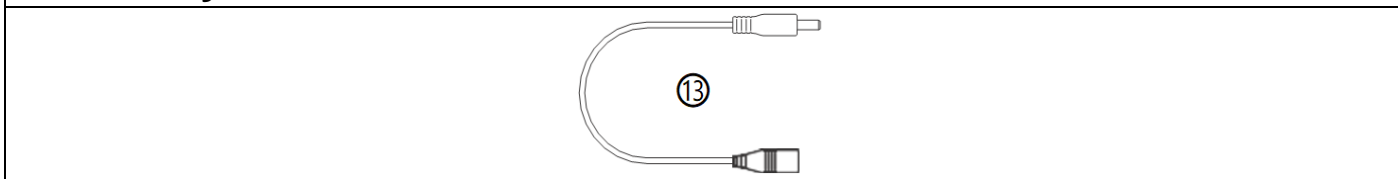
## Top MainUnit



## Bottom MainUnit



## Accessory



1	MainUnit	6	Adjustable magnet holder socket		
2	Adjustable magnet holder (4x)	7	Support pin (4x)		
3	Fake block (4x)	8	Support pin socket	13	Extension cable (30cm)
4	Fan	9	DC male socket (connection to next MainUnit)		
5	DC power input				

## Installation

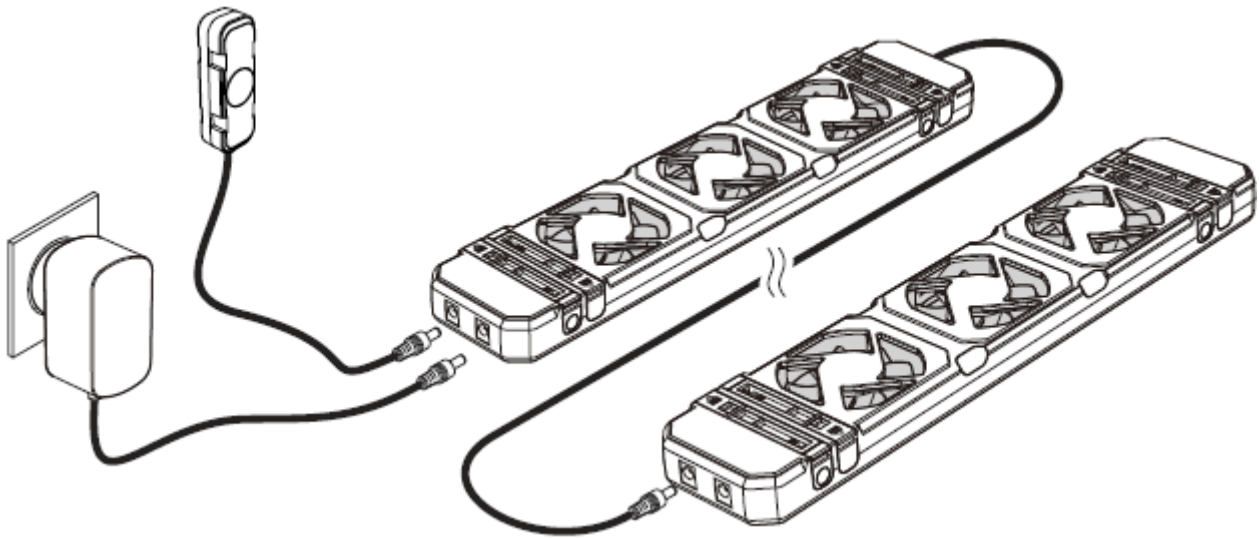
### Determine the type of your radiator

The MainUnit can be installed on different types of radiators. Each type of radiator has a different installation method.

Note: For the exact installation steps, please refer to the TX-302 Mono Set user manual.

### Connect the MainUnit to the Radiator

Connect additional MainUnits to long radiators with 30 cm cables. You can connect up to three MainUnits to one power adapter. No extra temperature sensors needed. The TX-303 Extension includes one MainUnit and one 30cm cable.



### Distribute the MainUnits

1. Install up to 3 units in an average living room.
2. Install in all regularly used rooms.

This ensures that all the air in the room circulates once per hour (since one MainUnit circulates 35 m<sup>3</sup>/h).

## Maintenance

### How to Maintain the MainUnit

#### Cleaning the product

The MainUnit and matching components can be cleaned.

To clean the product:

1. Vacuum when dirty. CAUTION! Use the lowest power setting on the vacuum.
2. Wipe with damp cloth if needed. CAUTION! Keep water out of the MainUnit through the fans.

If any parts break, replace them. CAUTION! Do not open, modify, or repair the product.

## Technical Specifications

Power consumption	≤ 1W
External charger	In: AC100-240V~50/60Hz; 0.4A Max Out: DC5V/2A
Airflow	24-25cfm / 34-35m³/h
Fan speed	1800rpm
Noise level	< 20 dB
Working temperature	-20 - 85°C; RH Less than 80% (No condensation)
Storage temperature	-40°C - +85°C
Weight	0.32kg
Dimension (LxWxH)	34.5 x 7.0 x 2.5cm
Material	ABS + PC
Package contents TX-303	1x MainUnit, 1x Extension cable (30cm), 1x User Manual

## Support

Service phone No. for technical support: **01805 012643** (14 cent/minute from German fixed-line and 42 cent/minute from mobile networks). Free Email: **support@technaxx.de**

The support hotline is available Mon-Fri from 9am to 1pm & 2pm to 5pm

## Care and maintenance

Clean the device only with a dry or slightly damp, lint-free cloth.

Do not use abrasive cleaners to clean the device.

This device is a high-precision optical instrument, so in order to avoid damage, please avoid the following practice:

- Use the device in ultra-high or ultra-low temperature.
- Deliver or use it in strongly shocking environment.

## Declaration of Conformity



The EU Declaration of Conformity can be requested at the following address: [www.technaxx.de/](http://www.technaxx.de/) (in the lower bar "Declaration of Conformity").

## Disposal



Disposal of the packaging. Sort packaging materials by type upon disposal.

Dispose of cardboard and paperboard in the waste paper. Foils should be submitted for recyclables collection.



Disposing of old equipment (Applies in the European Union and other European countries with separate collection (collection of recyclable materials) Old equipment must not be disposed of with household waste! Every consumer is required by law to dispose of old devices that can no longer be used separately from household waste, e.g. at a collection point in his or her municipality or district. This ensures that the old devices are properly recycled and that negative effects on the environment are avoided. For this reason, electrical devices are marked with the symbol shown here.

Made in China

Distributed by:  
Technaxx Deutschland GmbH & Co. KG  
Konrad-Zuse-Ring 16-18,  
61137 Schöneck, Germany

Radiator Fan - Extension TX-303