

MusicMan[®] MA Soundstation

Portable Stereo Speaker with built-in MP3 player + FM radio

User Manual

Declaration of Conformity: www.technaxx.de/ (in bottom bar "Konformitätserklärung")

Features

- Portable stereo speaker for MP3/4, CD/DVD, iPhone, iPad, iPod, PSP, mobile phones, PC/Notebook
- Built-in MP3 player and stereo FM radio
- Supports USB flash disk and MicroSD memory cards up to 32GB
- Several power supplies: Built-in, rechargeable lithium-ion 600mAh battery, computer USB or AC adapter* (*not included)
- Protection grille for the speaker cone
- Playing time approx. 5–6 hours by medium volume
- Lightweight durable aluminum housing
- Ideal for traveling, easiest installation, excellent sound quality

Key Functions

POWER ON / OFF	Switch the key to the ON position to turn on the device. When the device is on, the blue LED in its base lights. Switch the key to the OFF position to turn off the device. IMPORTANT: In case no USB flash disk or no MicroSD card is plugged in, the device works as FM radio automatically when turned on.
▶/ /■ (Playback / Pause)	If musik is played from USB flash disk, MicroSD card or through Line-IN, press the button ▶/ /■ to pause or to keep on with playback. In case the device works as FM radio, press the button ▶/ /■ shortly to start the automatic channel search function and the automatic channel storing function. Press the button ▶/ /■ longer to switch between the USB and MicroSD mode.
VOL + (Volume +)	Press the button to increase the volume; Press short the button to increase the volume step by step; Press long the button to increase the volume gradually.
VOL – (Volume –)	Press the button to decrease the volume; Press short the button to decrease the volume step by step; Press long the button to decrease the volume gradually.
▶▶ (Forward)	Press the button to move to next song/track.
◀◀ (Backward)	Press the button to move to last song/track.

Attention: USB / MicroSD / Line-IN → the last used one has priority.
(In case Line-IN is not recognized by the device, activate it with the button ▶/||/■.)

Insert a MicroSD memory card

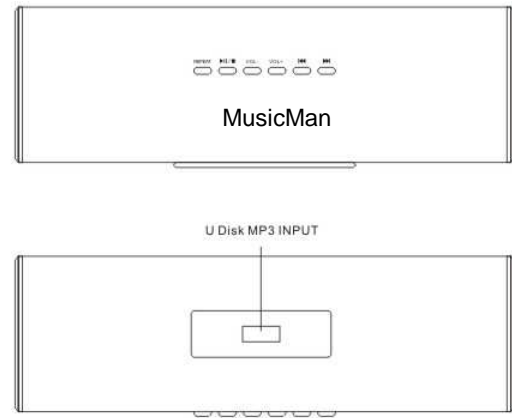
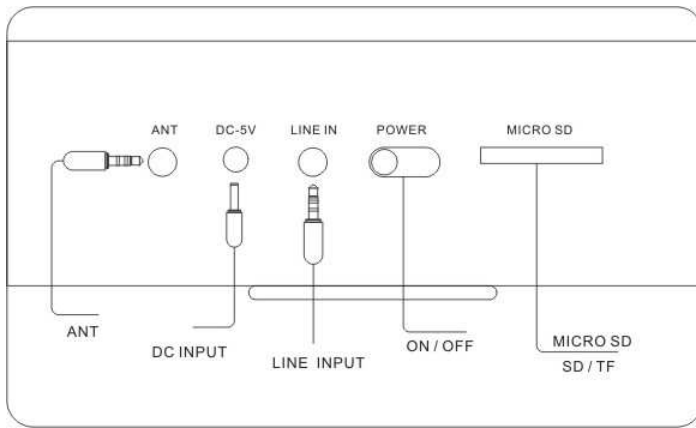
- The golden contacts must be directed upwards and forwards. Always do the installing and removing of the MicroSD card with care, otherwise the contacts of the device and/or the MicroSD card may be damaged.

Play Music

- MP3 files are played in the same order, like they are stored on the USB flash disk or MicroSD card.
- If music files are stored in different folders, only the files of the first (!) folder will be played. Neither jumping between the folders, nor selecting a folder is possible.
- If new MP3 files are stored, the device changes the row of music files by itself. You have no influence on that.
- If the USB flash disk or MicroSD card is removed from the device, and inserted again later, playback will start with the last MP3 file you heard.

Handling FM radio

Before starting the FM radio	Plug the equipped USB cable into the ANT slot (antenna slot) for better reception.
▶/ /■ (Play / Pause)	In case the device works as FM radio, press the button ▶/ /■ shortly to start the automatic channel search function and the automatic channel storing function (max. 20 stations). If a channel is found, the device stores this channel automatically and searches for other stations. The number of stations found is dependent on the strength of the transmitter signal!
VOL + (Volume +)	Press the button to increase the volume; Press short the button to increase the volume step by step; Press long the button to increase the volume gradually.
VOL – (Volume –)	Press the button to decrease the volume; Press short the button to decrease the volume step by step; Press long the button to decrease the volume gradually.
▶▶ (Forward)	Press the button to go forward to the next stored FM channel, or to scan FM channels forward (means, to go step by step to a FM channel with a higher number).
◀◀ (Backward)	Press the button to go backwards to the last stored FM channel, or to scan FM channels backwards (means, to go step by step to a FM channel with a lower number).



Warnings

- In case the device cannot be turned on or it turns off directly, after you put the switch to the ON position, check, whether it is fully charged.
- Only charge the device through the DC 5V slot. Otherwise the device may fail to work or even may be damaged.
- Do not increase the volume of your mobile phone/PC/MP3–MP4 player/CD/DVD to a high volume. This may cause dissonance or interfere with music playback on the device. In that case either decrease the volume of your mobile phone/PC/MP3–MP4 player/CD/DVD or of the device. The sound will get to a normal level soon.

Technical Specifications

Flash memory	USB flash disk + MicroSD card (up to 32GB)
Power switch	ON: Blue LED is on / OFF: Blue LED is off
Flashing blue LED	Fast flashing: when searching for FM channels Fast flashing: when changing a mode Slow flashing: in LINE-IN mode
Built-in	Stereo FM radio + Line-IN / AUX (Mini USB slot)
Battery	Built-in rechargeable changeable Lithium 600mAh battery Charging time ~ 4 hours Playing time ~ 6 hours (with MicroSD card) Playing time ~ 5 hours (with USB flash disk)
Charging	Red LED is ON while charging → Red LED is OFF, when battery is fully charged
ANT (Antenna)	FM antenna: use the audio cable as FM antenna
DC 5V	Input power (0.4-1.0 A) by USB or AC adapter* (* not included in delivery)
Speaker	2x 1.77" (external Ø 45mm) magnetic resistance 4 Ohm Signal / Noise Ratio ≥80 dB Output: RMS 6W (3W + 3W) THD = 10% Frequency response 150–18000Hz (±3 dB)
Weight / Dimensions	220 g / (L) 16,3 x (W) 5,0 x (H) 5,3 cm

Package Contents: MusicMan[®] MA Soundstation, USB/Power/Audio cable, User Manual

Security and Disposal Hints for Batteries: Hold children off batteries. When a child swallowed a battery go to a doctor's place or bring the child into a hospital promptly! Look for the right polarity (+) and (-) of batteries! Always change all batteries. Never use old and new batteries or batteries of different types together. Never short, open, deform or load up batteries! **Risk of injury!** Never throw batteries into fire! **Risk of explosion!**



Hints for Environment Protection: Packages materials are raw materials and can be recycled. Do not disposal old devices or batteries into the domestic waste. **Cleaning:** Protect the device from contamination and pollution (use a clean drapery). Avoid using rough, coarse-grained materials or solvents/aggressive cleaner. Wipe the cleaned device accurately. **Important Notice:** Should battery fluid leak from a battery, wipe the battery case with a soft cloth dry.

Distributor: Technaxx Deutschland GmbH & Co.KG, Kruppstr. 105, 60388 Frankfurt a.M., Germany